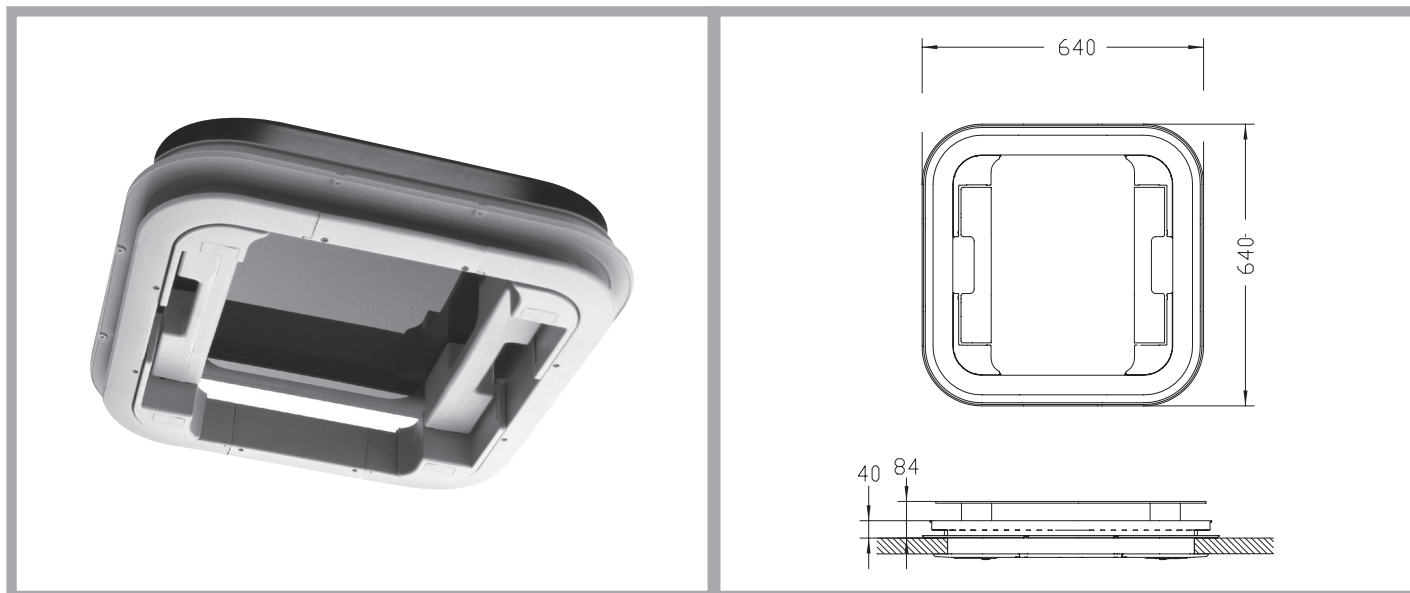


<u>Dakluiken</u>	<u>Dachluken</u>	<u>Roof Hatches</u>
	530 x 530	Manual



TECHNICAL DETAILS

Part. Nr.	Description	Aperture Size	Radius	Remarks
90-5000	Roof Hatch Manual	530 ⁺⁵ ₋₀ x 530 ⁺⁵ ₋₀	R80	UV Transmission 19%, Heat Transmission 60%, Light Transmission 48%
90-5000-DARK	Roof Hatch Manual Dark Glass	530 ⁺⁵ ₋₀ x 530 ⁺⁵ ₋₀	R80	UV Transmission 6%, Heat Transmission 16%, Light Transmission 17%

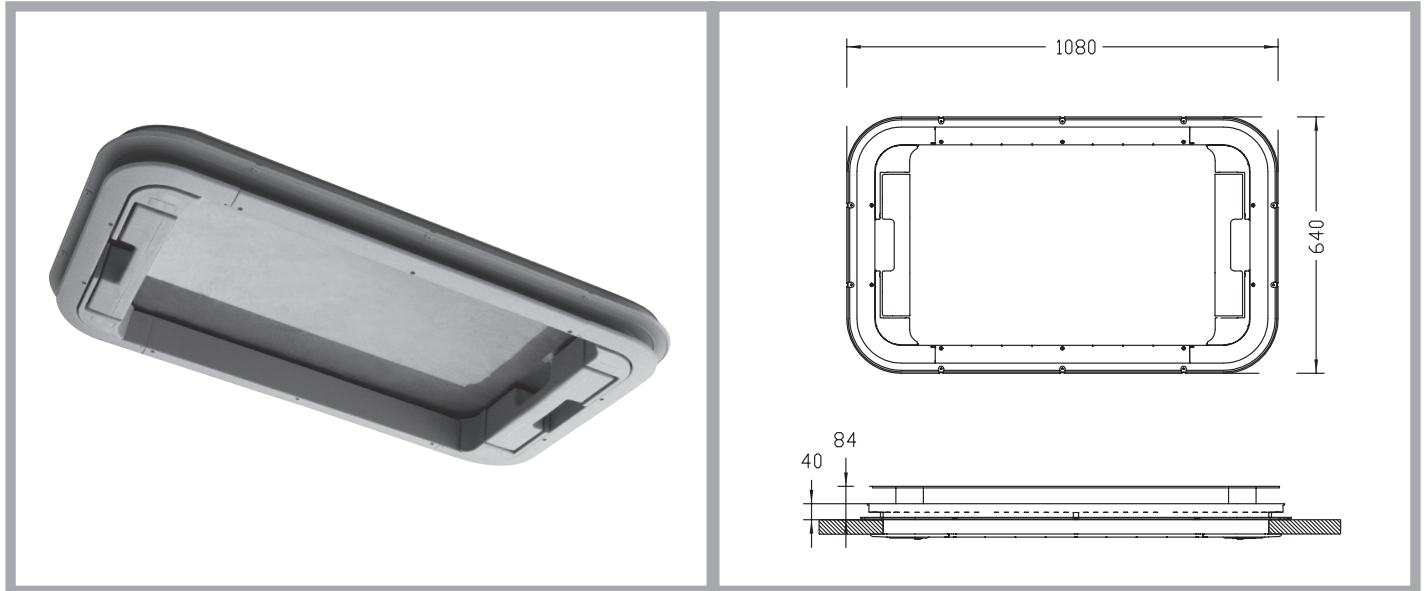
- Glass Dome homologated ECE 43R
- Suits roof thickness 30mm - 70mm
- High Quality Gaskets
- Internal frame easy to mount in outside frame
- Pre-drilled mounting holes in outside frame

TECHNISCHE VERANDERINGEN VOORBEHOUDEN!

TECHNISCHE ANDERUNGEN VORBEHALTEN!

TECHNICAL CHANGES RESERVED!

<u>Dakluiken</u>	<u>Dachluken</u>	<u>Roof Hatches</u>
	970 x 530	Manual



TECHNICAL DETAILS

Part. Nr.	Description	Aperture Size	Radius	Remarks
90-6000	Roof Hatch Manual	970 ⁺¹⁰ ₋₀ x 530 ⁺⁵ ₋₀	R80	UV Transmission 19%, Heat Transmission 60%, Light Transmission 48%
90-6000-DARK	Roof Hatch Manual Dark Glass	970 ⁺¹⁰ ₋₀ x 530 ⁺⁵ ₋₀	R80	UV Transmission 6%, Heat Transmission 16%, Light Transmission 17%

- Emergency exit according EC2001/85
- Glass Dome homologated ECE 43R
- Suits roof thickness 30mm - 70mm
- High Quality Gaskets
- Internal frame easy to mount in outside frame
- Pre-drilled mounting holes in outside frame

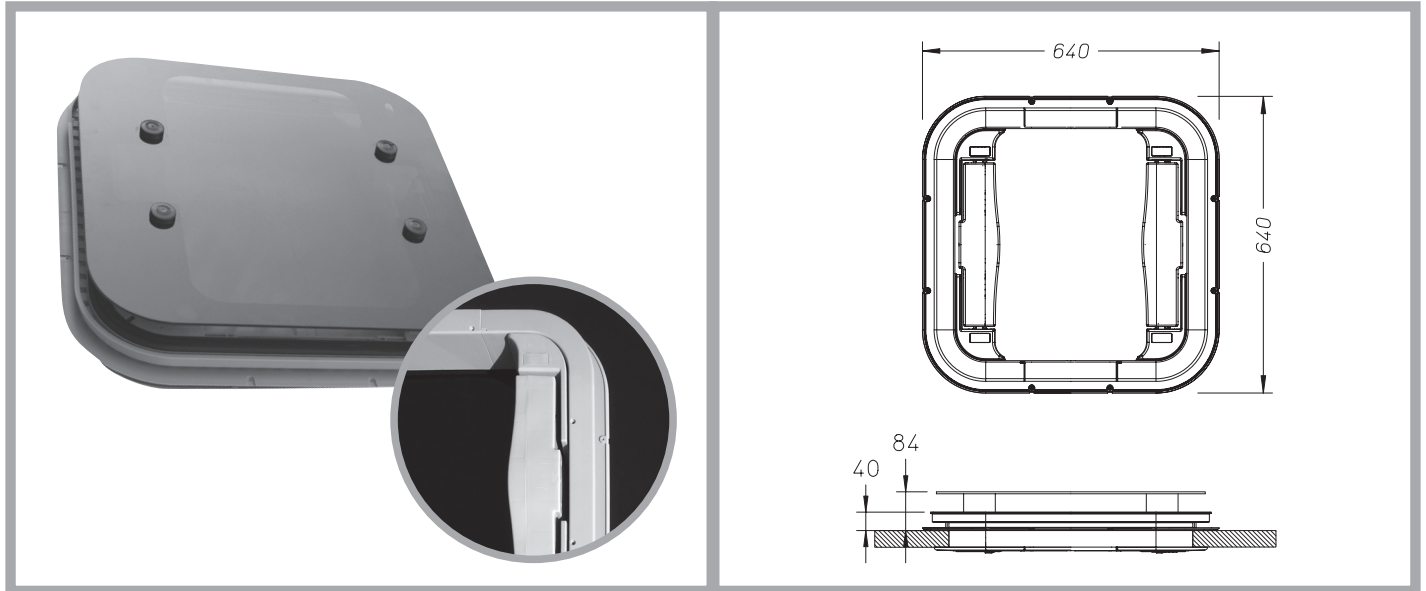
TECHNISCHE VERANDERINGEN VOORBEHOUDEN!

TECHNISCHE ANDERUNGEN VORBEHALTEN!

TECHNICAL CHANGES RESERVED!

<u>Dakluiken</u>	<u>Dachluken</u>	<u>Roof Hatches</u>
	530 x 530	Electric

EMC APPROVED



TECHNICAL DETAILS

Part. Nr.	Description	Aperture Size	Radius	Remarks
90-5000-E	Roof Hatch Electric 24 Volt*	530 ⁺⁵ x 530 ⁺⁵	R80	UV Transmission 6%, Heat Transmission 16%, Light Transmission 17%

* For 12 Volt application, use our 12V to 24V Converter (89-STEP12-24)

- Glass Dome homologated ECE 43R
- Dark tinted glass
- Homologated according EC 2004/104
- Suits roof thickness 30mm - 70mm
- High Quality Gaskets
- Internal frame easy to mount in outside frame
- Pre-drilled mounting holes in outside frame

*** Use always our control unit 30-6000 in combination with the electric roofhatch!**

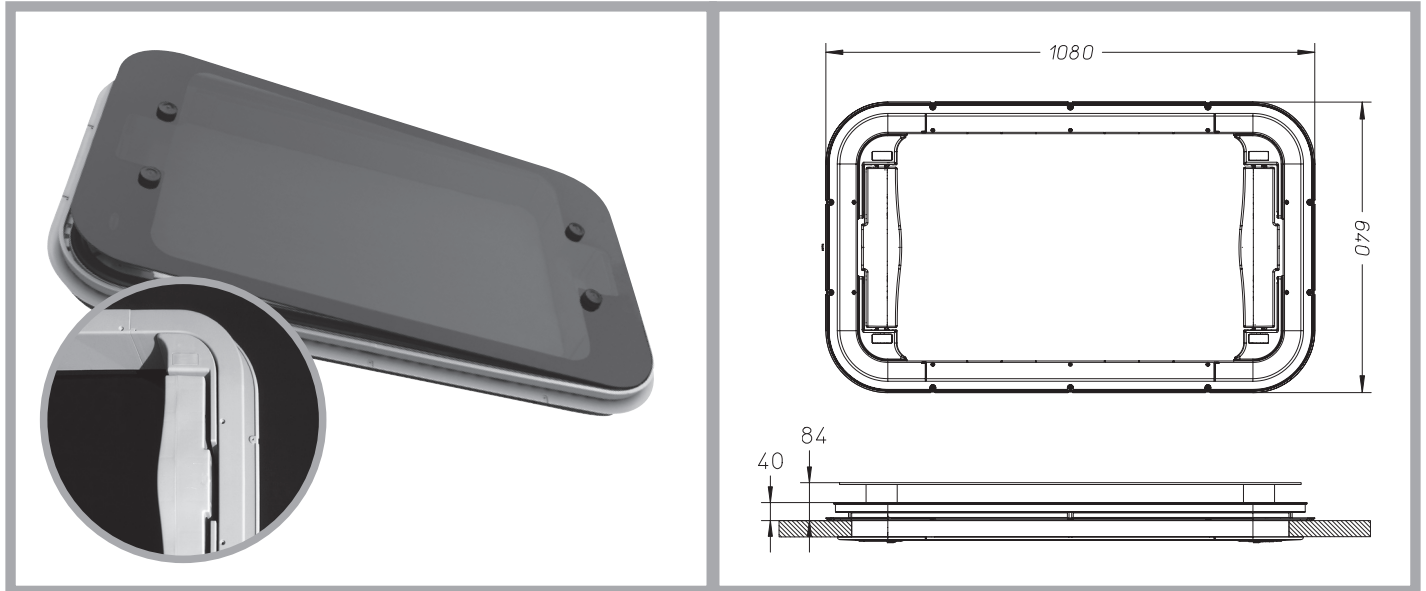
TECHNISCHE VERANDERINGEN VOORBEHOUDEN!

TECHNISCHE ANDERUNGEN VORBEHALTEN!

TECHNICAL CHANGES RESERVED!

<u>Dakluiken</u>	<u>Dachluken</u>	<u>Roof Hatches</u>
	970 x 530	Electric

EMC APPROVED



TECHNICAL DETAILS

Part. Nr.	Description	Aperture Size	Radius	Remarks
90-6000-E	Roof Hatch Electric 24 Volt*	970 ⁺¹⁰ x 530 ⁺⁵	R80	UV Transmission 6%, Heat Transmission 16%, Light Transmission 17%

* For 12 Volt application, use our 12V to 24V Converter (89-STEP12-24)

- Emergency exit according EC2001/85
- Glass Dome homologated ECE 43R
- Standard Dark tinted glass
- Homologated according EC 2004/104
- Suits roof thickness 30mm - 70mm
- High Quality Gaskets
- Internal frame easy to mount in outside frame
- Pre-drilled mounting holes in outside frame

*** Use always our control unit 30-6000 in combination with the electric roofhatch!**

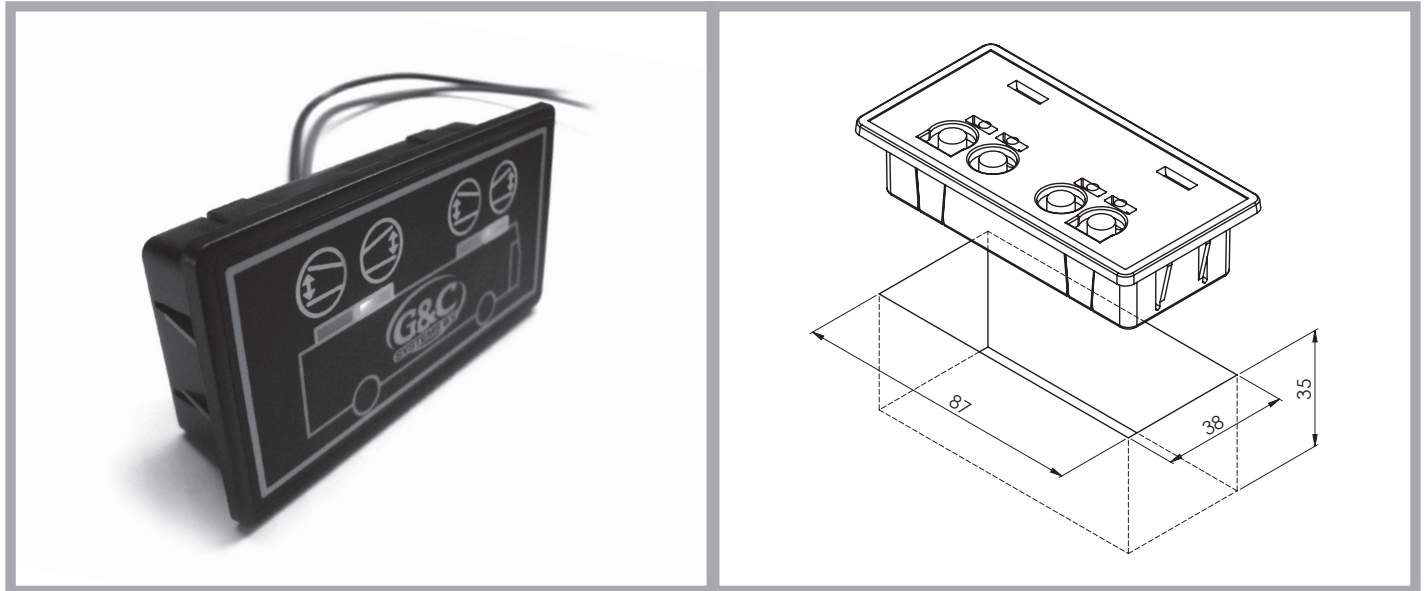
TECHNISCHE VERANDERINGEN VOORBEHOUDEN!

TECHNISCHE ANDERUNGEN VORBEHALTEN!

TECHNICAL CHANGES RESERVED!

<u>Dakluik Besturing</u>	<u>Elektronisch Bedienteil für Dachluke</u>	<u>Roofhatch control unit</u>

EMC APPROVED



TECHNICAL DETAILS

Part. Nr.	Description	Voltage	Outside Dimensions	Remarks
30-6000	Control Unit 24V for Electric Roofhatch	24 Volt*	96 x 49 x 28 mm	

* For 12 Volt application, use our 12V to 24V Converter (89-STEP12-24)

- Homologated according EC 2004/104
- The unit 30-6000 can control one or two electrical operated roof hatches
- To open/close front and backside of the roofhatch
- The position of the dome can be seen on the display (green Led's)
- The unit closes automatically when the ignition key is turned off
- Even when the ignition key is off, the hatch can be opened for ventilation
- The panel display has a current save function, reacting to usage
- Illumination with Orange Led's for the push buttons

TECHNISCHE VERANDERINGEN VOORBEHOUDEN!

TECHNISCHE ANDERUNGEN VORBEHALTEN!

TECHNICAL CHANGES RESERVED!



G&C Systems B.V.
Kazemat 7
3905 NR VEENENDAAL
The Netherlands

Phone: +31 (0)318 576744
Fax: +31 (0)318 576733
Internet: www.gnc-systems.com
E-mail: info@gnc-systems.com

Dakluiken / Dachluken / Roof Hatches

Hoofdstuk 6.14