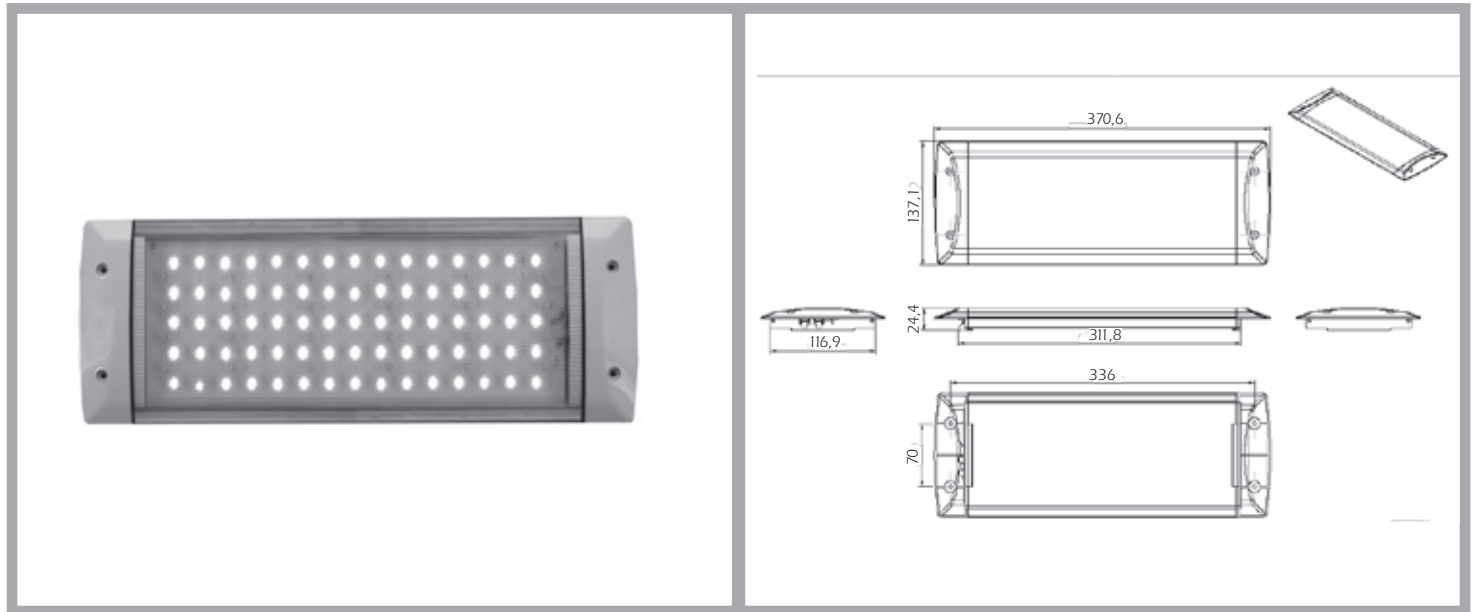


		<b>Interior Light</b>

**LED Light Build In Waterproof sealed to IP66**



**TECHNICAL DETAILS**

Part. Nr.	Description	Voltage	Lights	Colour	Remarks
92-9000-12V	LED <b>Build In</b> Light White	12V	75 White 24 Blue	White	75 White Leds 24 Blue Leds (Nightlight)
92-9100-24V	LED <b>Build In</b> Light White	24V	75 White 24 Blue	White	75 White Leds 24 Blue Leds (Nightlight)

<b>LED Light</b>
LED Light Waterproof Sealed to IP66 with Super bright LED's

TECHNISCHE VERANDERINGEN VOORBEHOUDEN!

TECHNISCHE ANDERUNGEN VORBEHALTEN!

TECHNICAL CHANGES RESERVED!



G&C Systems B.V.  
Kazemat 7  
3905 NR VEENENDAAL  
The Netherlands

Phone: +31 (0)318 576744  
Fax: +31 (0)318 576733  
Internet: www.gnc-systems.com  
E-mail: info@gnc-systems.com